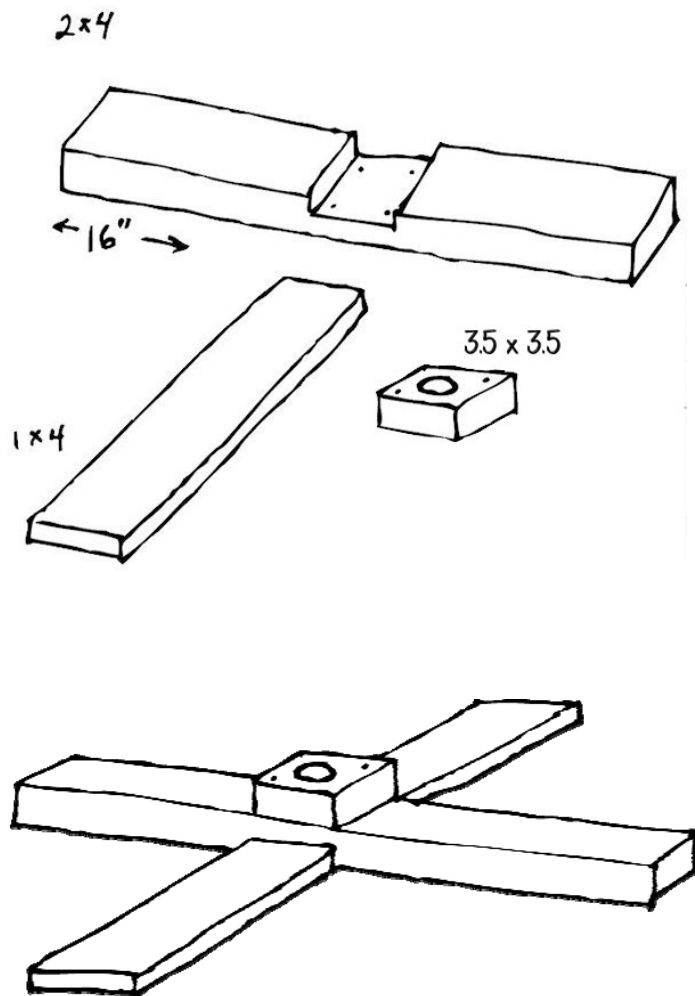


Small Christmas Tree Stand



CUT A SLOT IN THE 2x4 THAT WILL ALLOW THE 1x4 TO FIT INTO IT.

SCREW IT TOGETHER TO FORM THE BASE.

TURN IT OVER AND SCREW-IN A SHORT SQUARE PIECE OF 2x4 AS SHOWN.

MEASURE THE BASE OF YOUR TREE AND DRILL A HOLE IN THE CENTER OF THE STAND TO ACCOMMODATE THE TREE.

OURS WAS A 1" DIAMETER HOLE.

HAPPY BUILDING! 😊